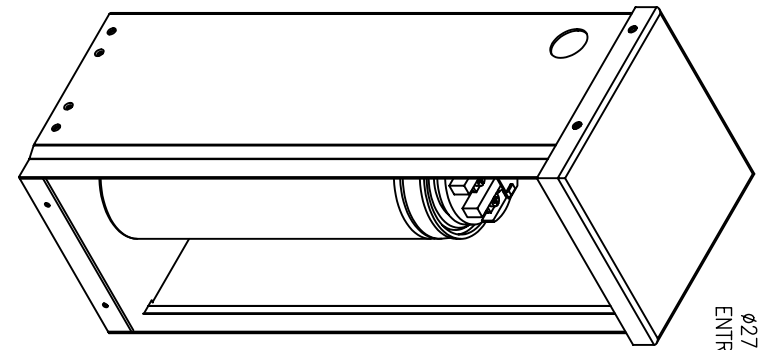
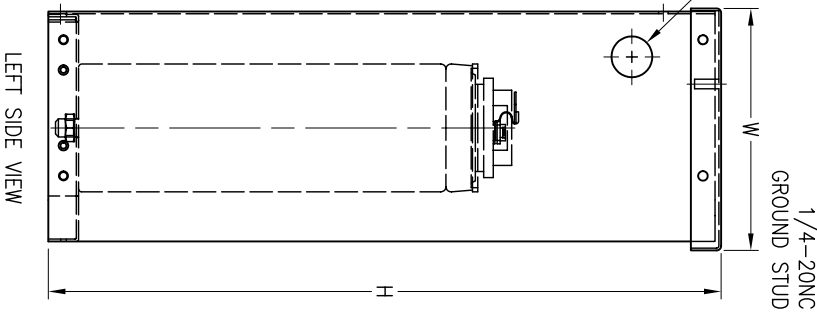


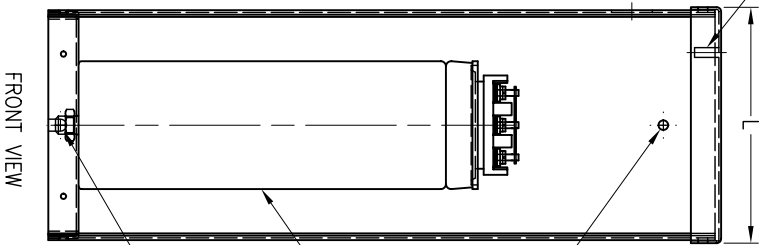
Volts	kVA	Amps	W	L	H
208	4.9	13.6	137	96	381
	9.8	27.2	137	96	381
	3.0	3.6	137	96	381
	4.0	4.8	137	96	381
	5.0	6.0	137	96	381
	6.7	8.0	137	96	381
480	8.3	10.0	137	96	381
	10.0	12.0	137	96	381
	12.5	15.0	137	96	381
	15.0	18.0	137	96	381
	20.0	24.0	137	96	381
	25.0	30.0	137	96	381
600	5.0	4.8	137	96	381
	6.3	6.1	137	96	381
	8.3	8.0	137	96	381
	10.0	9.6	137	96	381
	12.5	12.0	137	96	381
	15.0	14.5	137	96	381
	20.0	19.3	160	156	445
	25.0	24.1	160	156	445



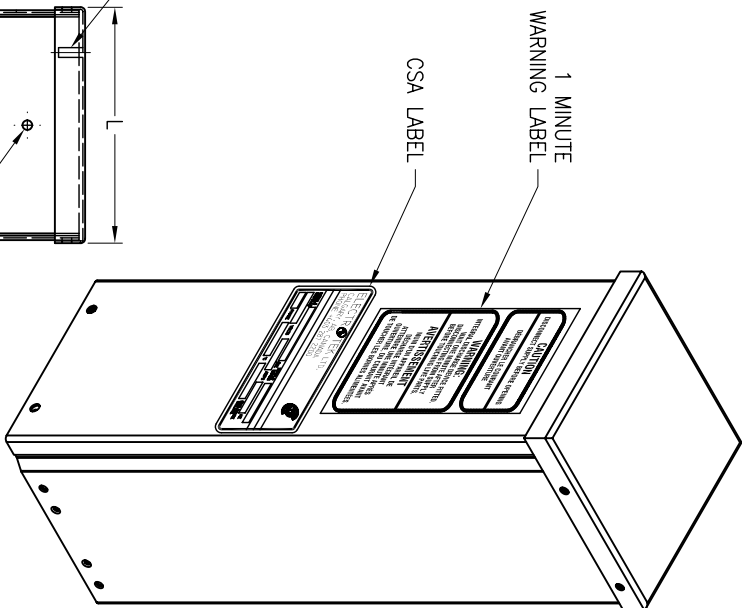
Ø27 CABLE
ENTRY HOLE



LEFT SIDE VIEW



FRONT VIEW



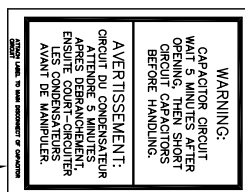
1 MINUTE
WARNING LABEL

CSA LABEL

Ø6.4 [Ø1/4"]
WALL MOUNT HOLE

CAPACITOR

WALL MOUNT SLOT



5 MINUTE WARNING LABEL,
SUPPLIED LOOSE, TO BE
PLACED ON CAPACITOR
DISCONNECT ENCLOSURE

- Notes:
1. Discharge resistors provided.
 2. NEMA 3R Galvanized enclosure.
 3. Floor mounting brackets provided on request.
 4. All dimensions in mm unless noted otherwise.

This drawing is the property of Electrotek Ltd. The information and technology herein may not be used nor reproduced without the written permission of Electrotek Ltd. All reproductions, in whole or in part, including shop drawings, shall refer to this clause.

Revised: 08/04/05

Title: Typical Packaged
Capacitor

Model: R500

ELECTROTEK LTD

10116 34 AV SE Calgary, AB
T2G 1V4 Canada
Tel: 403 287 2200 Fax: 403 287 3808
contact@electrotekltd.com
www.electrotekltd.com