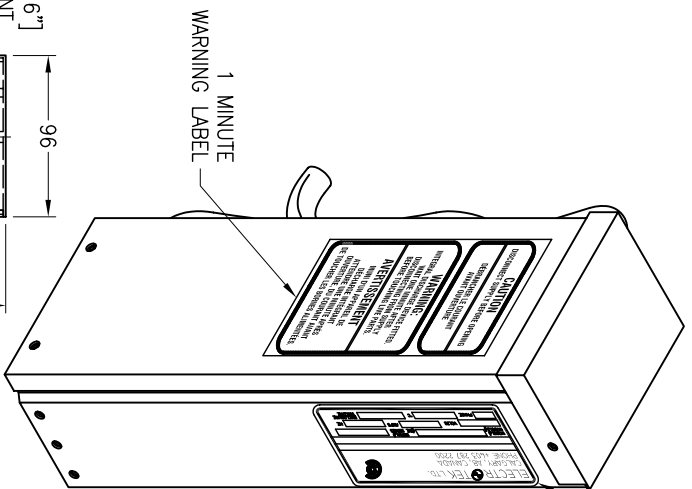
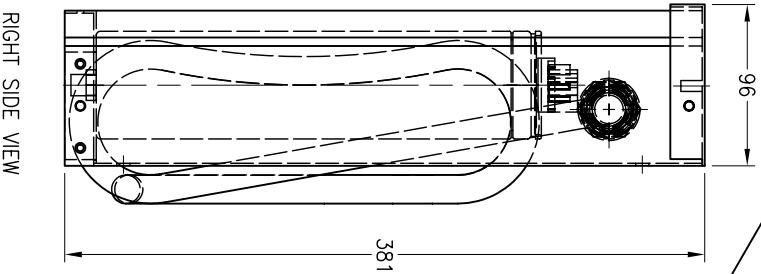
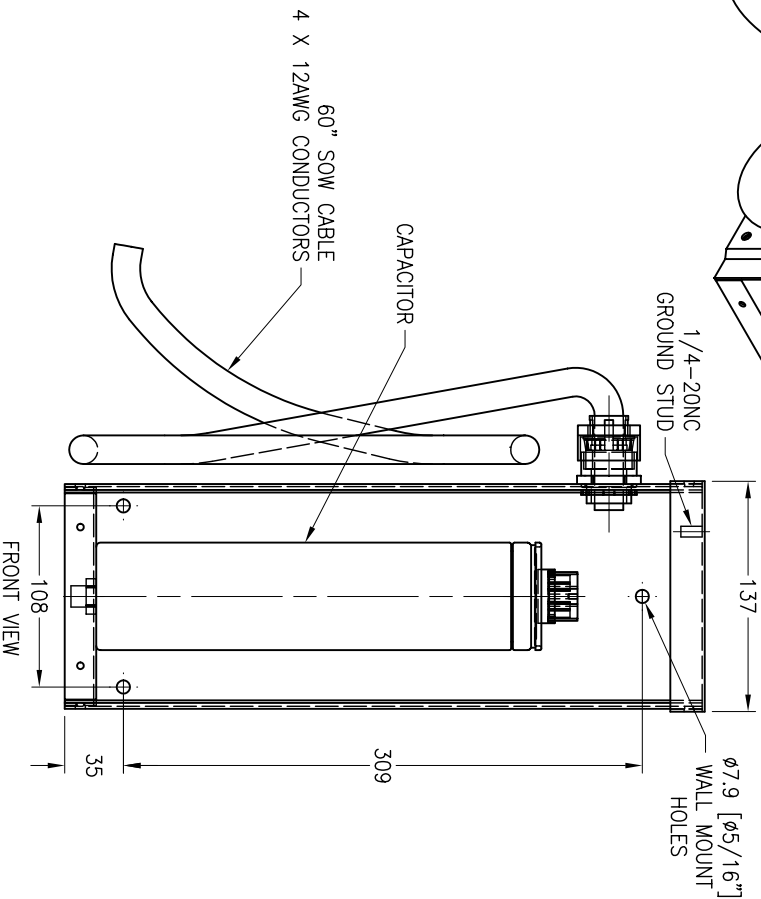
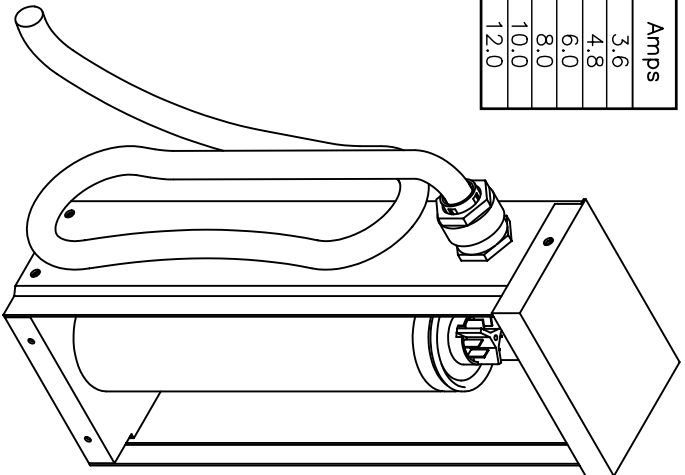


kVar	Amps
3.0	3.6
4.0	4.8
5.0	6.0
6.7	8.0
8.3	10.0
10.0	12.0



WARNING:
CAPACITOR CIRCUIT
WAIT 5 MINUTES AFTER
OPENING, THEN SHORT
CIRCUIT CAPACITORS
BEFORE HANDLING.

AVERTISSEMENT:
CIRCUIT DU CONDENSATEUR
ATTENDRE 5 MINUTES APRÈS
L'OUVERTURE DU COUVERCLE,
ENSURTE COURTE-CIRCUITER
LES CONDENSATEURS
AVANT DE MANIPULER.

SEE INSTRUCTIONS FOR CONNECTIONS
ELECTROTEK LTD. 10116 34 AV. SE CALGARY, AB T2G 1V4 CANADA
TEL: 403 287 2200 FAX: 403 287 3808
WWW.ELECTROTEK.LTD.COM

5 MINUTE WARNING LABEL,
SUPPLIED LOOSE, TO BE
PLACED ON CAPACITOR
DISCONNECT ENCLOSURE

- Notes:**
1. Discharge resistors provided.
 2. NEMA 3R Galvanized enclosure.
 3. Floor mounting brackets provided on request.
 4. All dimensions in mm unless noted otherwise.

This drawing is the property of Electrotek Ltd. The information and technology herein may not be used nor reproduced without the written permission of Electrotek Ltd. All reproductions, in whole or in part, including shop drawings, shall refer to this clause.

Revised: 08/04/05

Title:
Typical 480 Volt
Pumpjack Capacitor

Model: R400

10116 34 AV SE Calgary, AB
T2G 1V4 Canada
Tel: 403 287 2200 Fax: 403 287 3808
contact@electrotekltd.com
www.electrotekltd.com

